



# CASTER CITY

8635 Bright Angel Way  
Las Vegas, NV 89149  
800-501-3808

### REVISIONS:

DATE	#	COMMENT	BY

PART NO: **3XX3x1.25-S**

DIMENSIONS AND TOLERANCE ARE IN INCHES UNLESS SPECIFIED:  
.X ±0.1 .XX ±0.06 .XXX ±0.03 FRACTION ±1/16 ANGLES ±1°

### SPECIFICATIONS:

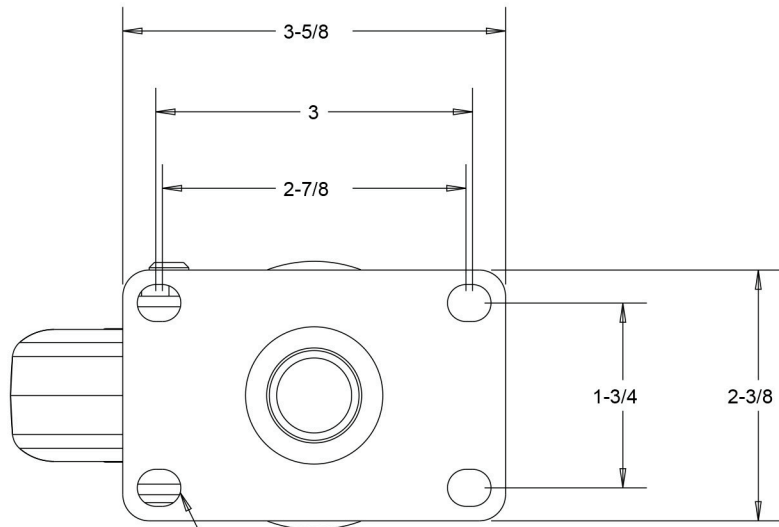
#### YOKE:

1. MATERIAL: ZINC PLATED STEEL
2. DOUBLE BALL BEARING RACEWAYS
3. WITH DUST CAP
4. 3/8" AXLE AND NUT

WHEEL: **XX** to be replaced by Wheel Code

LOAD CAPACITY: 300 LBS Maximum(actual capacity determined by capacity of wheel)

DATE	03/29/2021
SCALE	
PAGE	1 OF 1
DRAWN BY	S.C.
APPROVED BY	L.C.



MOUNTING BOLT  $\varnothing$  5/16

