



CASTER CITY

8635 Bright Angel Way
Las Vegas, NV 89149
800-501-3808

PART NO:

REVISIONS:

DATE	#	COMMENT	BY

Stainless Steel Model 3A - 3" Total Lock

DIMENSIONS AND TOLERANCE ARE IN INCHES UNLESS SPECIFIED:
.X ±0.1 .XX ±0.06 .XXX ±0.03 FRACTION ±1/16 ANGLES ±1°

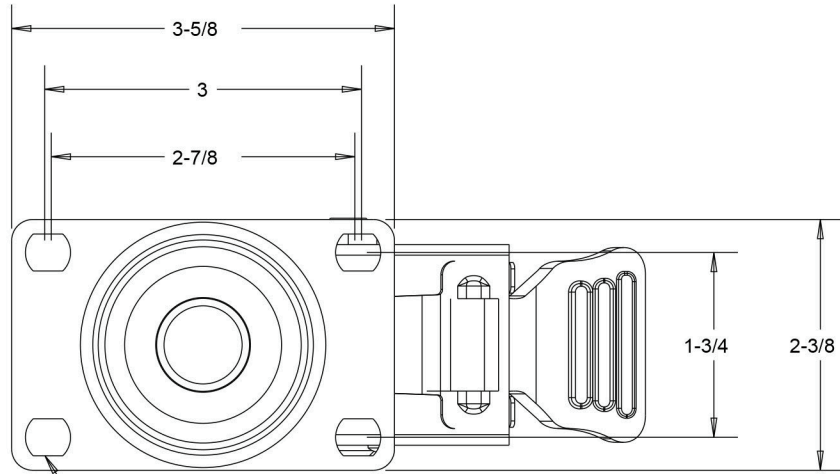
SPECIFICATIONS:

YOKE:

1. MATERIAL: 304 STAINLESS STEEL CONSTRUCTION THROUGHOUT
2. TOTAL LOCK SIMULTANEOUS SWIVEL AND WHEEL LOCK
3. STAINLESS STEEL DOUBLE BALL BEARING RACEWAYS
4. 1/2" STAINLESS STEEL KINGPIN
5. 3/8" STAINLESS STEEL AXLE AND NUT

DATE	02/17/2022
SCALE	
PAGE	1 OF 1
DRAWN BY	D.X.
APPROVED BY	S.C.

Capacity up to 300lbs depending on the wheel



MOUNTING BOLT \varnothing 5/16

