



CASTER CITY

8635 Bright Angel Way
Las Vegas, NV 89149
800-501-3808

PART NO:

REVISIONS:

| DATE | # | COMMENT | BY |
|------|---|---------|----|
| | | | |
| | | | |
| | | | |
| | | | |

Caster Model 2-50 - 12" Swivel

DIMENSIONS AND TOLERANCE ARE IN INCHES UNLESS SPECIFIED:

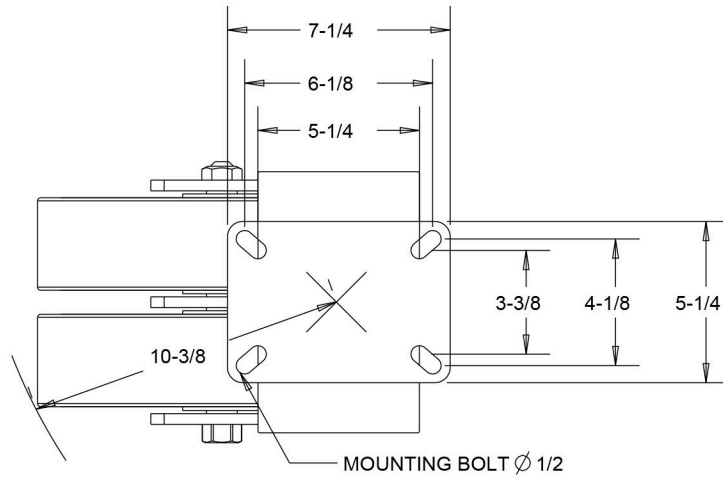
.X ±0.1 .XX ±0.06 .XXX ±0.03 FRACTION ±1/16 ANGLES ±1°

SPECIFICATIONS:

YOKE:

1. MATERIAL: ZINC PLATED DROP FORGED ASTM 1045 STEEL
2. 1/2" DIAMETER STEEL BALL BEARINGS
3. ZERK FITTING STANDARD ON SWIVEL RACEWAY
4. 3/4" GRADE 8 AXLE WITH LOCK NUT

| | |
|-------------|------------|
| DATE | 06/30/2022 |
| SCALE | |
| PAGE | 1 OF 1 |
| DRAWN BY | D.X. |
| APPROVED BY | S.C. |



Capacity up to 7,000lbs depending on the wheel

